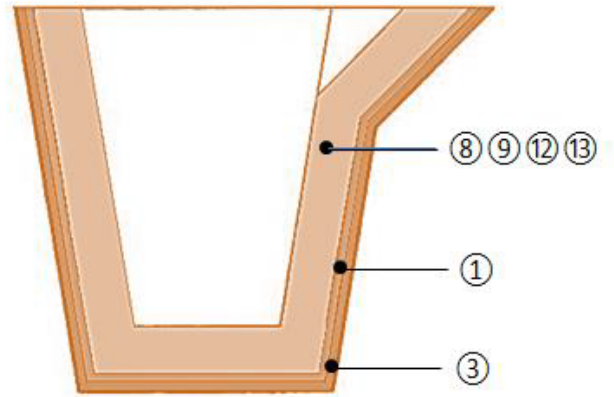
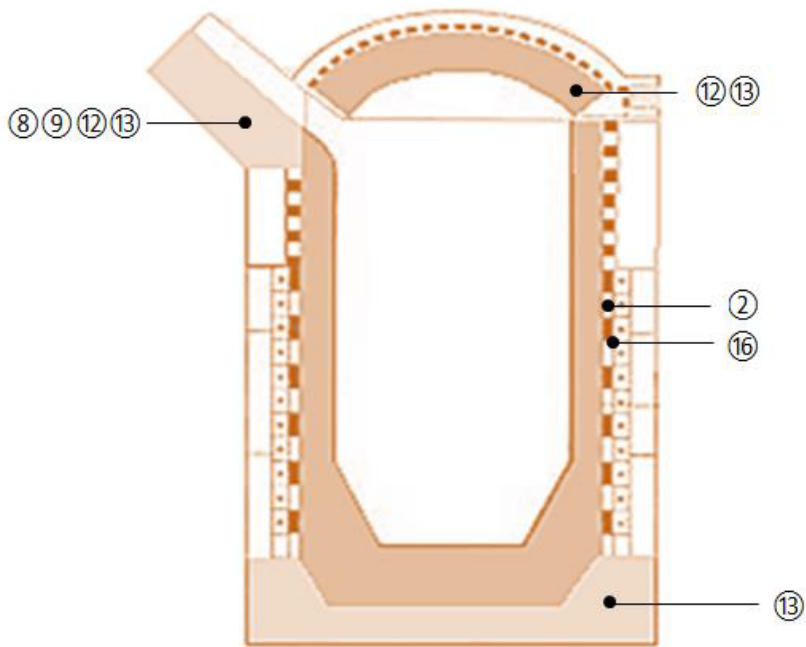


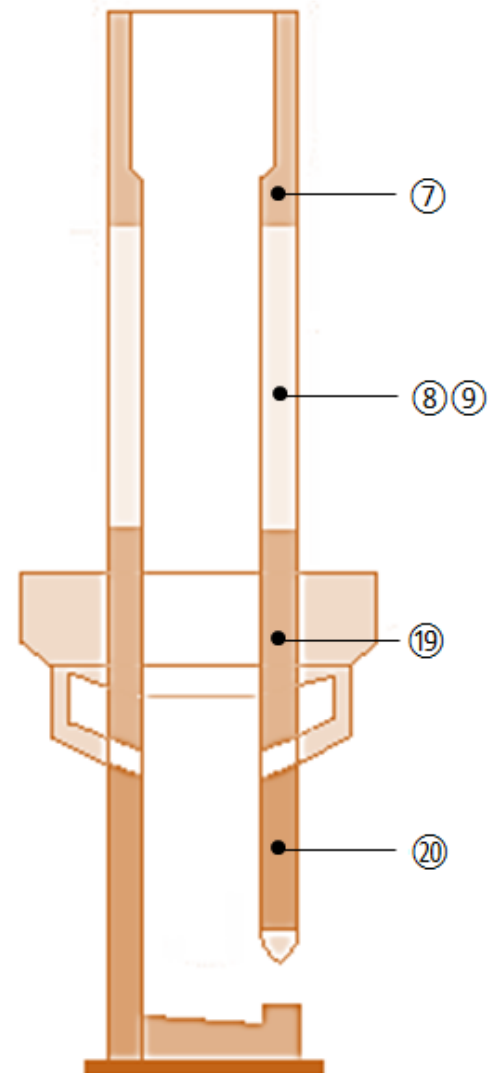
Colher / Ladle



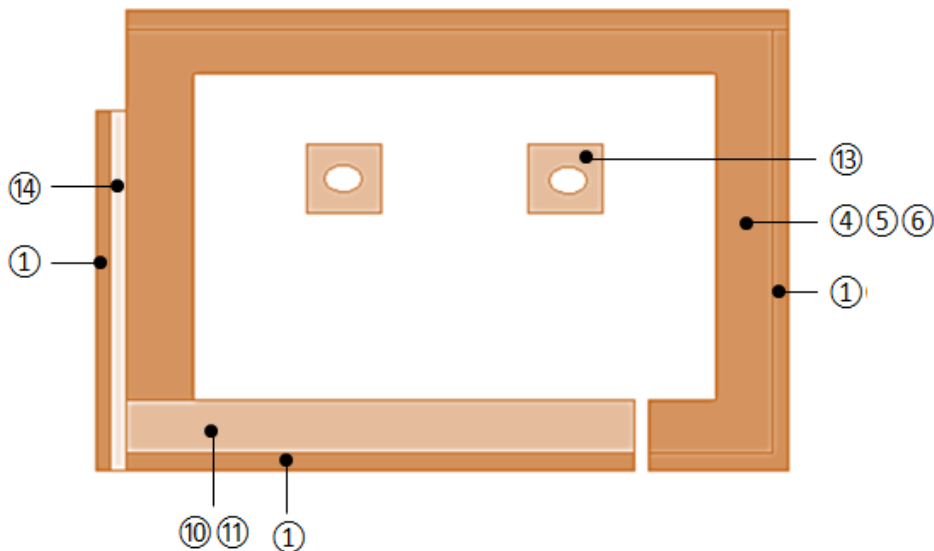
Forno de Indução
Induction Furnace



Cubilote / Cupola



Forno de Tratamentos Térmicos
Heat Treatment Furnace



Fundição de Aço e Ferro

Steel and Iron Foundry

Referência Reference	Tipo de material Type of material	T (°C) de serviço máx. recomendada Max. recommended operation T (°C)	Densidade Density (Kg/m ³)	Análise Química Chemical Analysis			Granulometria Granulometry (mm)
				% AL ₂ O ₃	% SiO ₂	% Fe ₂ O ₃	
①	GEOPSC Placas Isolantes Insulating Plates	1000	245	---	---	---	---
②	GEOMICA Mica	1100	---	---	---	---	---
③	GEOPAPCER Papel Cerâmico Ceramic Paper	1200	200	---	---	---	---
④	CERABLOC Bloco fibra cerâmica Block ceramic fiber	1260/1430	128	---	---	---	---
⑤	CERABLOC Bloco fibra cerâmica Block ceramic fiber	1260/1430	160	---	---	---	---
⑥	CERABLOC Bloco fibra cerâmica Block ceramic fiber	1260/1430	240	---	---	---	---
⑦	GEOBRIRST48V Betão denso Dense concrete		2400	46,0-48,0	39,1-41,1	<1,5	0-10
⑧	GEOBRIRST60V Betão denso Dense concrete	1650	2500	61,0-63,0	26,0-28,0	<1,5	0-6
⑨	GEOBRIRST70V Betão denso Dense concrete	1650	2500	61,0-63,0	26,0-28,0	<1,5	0-6
⑩	GCAST30NSIC30 Betão denso Dense concrete	1400	2400	54,6-56,6	7,2-8,2	<1,0	0-6
⑪	GCAST60NSIC60 Betão denso Dense concrete	1400	2450	19,0-21,0	4,0-5,0	<0,5	0-6
⑫	GEOBRIRST80V Betão denso Dense concrete	1750	2700	78,6-80,6	9,2-11,2	<1,5	0-6
⑬	GEOBRIRST90V Betão denso Dense concrete	1750	2800	86,3-88,3	3,8-4,8	<0,5	0-6
⑭	GEOBRIRSTCLP Betão Isolante Insulating concrete	1350	1000	44,2-46,2	35,1-37,1	<2,0	0-5
⑮	GEOARIRSTGP50 Argamassa Grout	1450	2100	44,0-46,0	40,1-42,1	<1,5	0-1
⑯	GEOARIRSTGP85 Argamassa Grout	1750	2400	75,2-77,2	11,5-13,5	<1,5	0-1
⑰	GEOBRGLITE Betão Isolante Insulating concrete	1250	1000	45,0-47,0	42,0-44,0	<2,0	0-5
⑱	GEOBRGLITEVE Betão Isolante Insulating concrete	1100	800	32,0-34,0	33,3-35,3	2,5-3,5	0-6
⑲	GEORAM6030S Massa plástica Plastic mass	1500	2100	7	87	1,2	0-9
⑳	GEORAM3060A Massa plástica Plastic mass	1500	2900	64	12	1,5	0-5